



# WF2503, WF2504, WF2505, WF2508 Terreon® Classic Washfountains

- cUPC Certified
- Pre-Assembled Bowl and Pedestal
- Available in 54" or 36" Diameter Semi-Circular or Circular Bowls
- 9" Deep Bowl, Designed for Heavy Duty Hand Washing
- Reliable Foot, Air, TouchTime® or Infrared Activations

## Specifications

### Size and Capacity

Semi-circular models accommodate up to 3 users (36" models) or 4 users (54" models) at a time. Circular models accommodate up to 5 users (36" models) or 8 users (54" models) at a time. All models utilize less water, energy and space than lavatories equipped with conventional faucets. The classic sprayhead (non-sectional) is controlled by an infrared sensor, electronic pushbutton or piezo switch, air activated pushbutton or foot rail. The washfountain bowls, pedestals and valve sets are completely assembled. Only the support column and connections to the valve set and drain require assembly. The operating range is 20-80 PSI. Flow rate controlled by volume control valve.

## Construction

### Terreon® Bowl Materials

Constructed of Terreon®, a densified solid surface material composed of bio-based resin. Terreon® is resistant to chemicals, stains, burns and impact. Surface damage can be easily repaired with everyday cleansers or fine grit abrasives. Terreon is Home Innovation Lab certified to meet CSA B45.5/IAPMO Z124. Terreon is GREENGUARD certified as low-emitting materials.

### Pedestals

Constructed of die-formed legs, upper braces, scuff bases and panels: legs are zinc chromate plated 14 gauge steel; upper braces are 16 gauge galvanized steel; and scuff bases and pedestals are 300 series stainless steel with a #4 finish.

## Standard Equipment

### Valves and Fittings

In addition to the bowl and pedestal assembly, the following valves and fittings are standard: sprayhead with stainless steel support tube and bowl gasket; spud with domed strainer; sprayhead supply line; manual mixing valve; volume control valve; and (2) stop, strainer and check valves.

## Activation Controls

### Foot

Each press of the foot rail mechanically actuates a hold-open valve, with slow closing upon release of foot pressure.

### Air

Each push button pneumatically actuates a non-hold-open, air metering, single-temperature valve with field adjustable timing from 0-45 seconds. Factory preset at 12 seconds. Each push button activates a flow of tempered water from the classic non-sectional sprayhead. Push button requires less than five pounds of pressure.

### Infrared

Hands placed within the bowl are detected by an infrared sensor module which activates a flow of tempered water from the classic non-sectional sprayhead. Shut-off is automatic after hands are removed from the detection area. The infrared sensor uses a conical-shaped transmitting beam, having a detection area adapted to, but not exceeding, the bowl perimeter. The adaptive infrared sensor automatically adapts to the bowl after power is turned on. The infrared sensor is not affected by varying color tones or darkness. Direct sunlight or bright washroom lights will not activate the system. Infrared models also include solenoid valves and a 12V plug-in adapter as standard equipment:

- Solenoid – 12VDC, 3/4" NPT. Few moving parts, and resistant to most chemicals, minerals, and impurities often present in municipal water supplies.
- Low-Voltage UL/CSA listed 120VAC/12VDC plug-in adapter. Plugs into a standard GFCI protected electrical outlet. Location of transformer per local electrical code.

Page 1 of 7

4/2/2018

This information is subject to change without notice.

Bradley\_Washftn\_Terreon\_WF2503\_04\_05\_08



WF2504

### TouchTime®

Each low-voltage mechanical pushbutton or piezo switch actuates a non-hold-open, slow-closing anti-hammer solenoid valve that is timed from an electronic potted assembly. Each push button activates a flow of tempered water from the classic non-sectional sprayhead. TouchTime controls water flow at all stations through the use of solid state, digital circuitry. Timing is factory set at 12 second run time but is field adjustable to pre-set timeout periods and optional auto-flush function. The 24 hour flush function will activate water flow for a period of 60 seconds any time there has been no activation within the past 24 hours. Push button and piezo switch requires less than five pounds of pressure.

## Code Compliance and Certifications

### cUPC Approval

Pre-Assembled Classic Washfountains are Uniform Plumbing Code (cUPC), International Plumbing Code (IPC) and National Plumbing Code of Canada certified through the International Association of Plumbing and Mechanical Officials (IAPMO). Manufactured in compliance with IGC 156-2012, CSA B45 Series-2002 (R2013) & ASME A112.18.1-2012/CSA B125.1-12.

### ANSI Standards

Terreon® is Home Innovation Lab certified to meet CSA B45.5/IAPMO Z124.



Standard product selections contained within this document are third party **CERTIFIED** to NSF/ANSI 372 meeting the Lead-Free content requirement. Any product configured with custom options will be **COMPLIANT** with NSF/ANSI 372 meeting the Lead-Free content requirement.



Certified to  
NSF/ANSI 372



© 2018 Bradley

P.O. Box 309, Menomonee Falls, WI 53052-0309  
800 BRADLEY (800 272 3539) +1 262 251 6000  
bradleycorp.com



# WF2503, WF2504, WF2505, WF2508 Terreon® Classic Washfountains

<b>Models</b> (Must select one)			
<b>Model</b>	<b>Size</b>	<b>Users</b>	<b>Material</b>
<input type="checkbox"/> WF2503	36" Semi-Circular	3	Terreon®
<input type="checkbox"/> WF2504	54" Semi-Circular	4	Terreon®
<input type="checkbox"/> WF2505	36" Circular	5	Terreon®
<input type="checkbox"/> WF2508	54" Circular	8	Terreon®
<b>Standard Selections</b> (Must select one from each category)			
<b>Drain Type (select one)</b>			
<input type="checkbox"/> A	Off-line vent with supplies from below		
<input type="checkbox"/> B	Centrally rising vent with supplies from above		
<input type="checkbox"/> H	Centrally rising vent with supplies from below		
<input type="checkbox"/> O	Off-line vent with supplies from above		
<b>Mounting Height Type (select one)</b>			
<input type="checkbox"/> STD	Standard Height	<input type="checkbox"/> JUV	Juvenile Height
<b>Sprayhead Type (select one)</b>			
<input type="checkbox"/> CLC	Classic Sprayhead (entire sprayhead activates)		
<b>Activation Type (select one)</b>			
<input type="checkbox"/> F	Foot	<input type="checkbox"/> TTPA	TouchTime Pushbutton***
<input type="checkbox"/> IRP	Infrared	<input type="checkbox"/> TTPB	TouchTime Piezo Switch***
<input type="checkbox"/> AST4	Air Pushbutton		
<b>Water Supply Type (select one)</b>			
<input type="checkbox"/> MMV	Manual Mixing Valve	<input type="checkbox"/> TMA	Thermostatic Mixing Valve
<b>Soap Dispenser Type (select one)</b>			
<input type="checkbox"/> PSD	Powdered Soap Dispenser	<input type="checkbox"/> MPSD	Metal-Clad Powdered Soap Disp.
<input type="checkbox"/> LSD	Liquid Soap Dispenser	<input type="checkbox"/> SA	Cube Adapter for Individual Soap Dispensers (dispensers sold separately)†
<input type="checkbox"/> MLSD	Metal-Clad Liquid Soap Dispenser	<input type="checkbox"/> NSD	No Soap Dispenser
<b>Terreon® Bowl Color (select one)</b>			
<input type="checkbox"/> SS-GRAY	Soapstone Gray	<input type="checkbox"/> CA-TAN	Canyon Tan

<b>Optional Selections</b>	
<b>Shroud Type</b>	
<input type="checkbox"/> SH	Stainless Steel Shroud (Conceals Overhead Piping)*
<input type="checkbox"/> NONE	No Shroud Type
<b>Support Tube Reinforcement Type</b>	
<input type="checkbox"/> TA	1-1/2" Tie Pipe Assembly (not required when SH is selected) §
<input type="checkbox"/> NONE	No Tie Pipe Assembly
<b>Paper Towel Dispensers</b>	
<input type="checkbox"/> CFTD	(2 for semi, 3 for circular) C-Fold, Multi-Fold Dispenser
<input type="checkbox"/> SFTD	(2 for semi, 3 for circular) Single-Fold Dispenser
<input type="checkbox"/> NONE	No Towel Dispenser
<b>Hose Bibb Type</b>	
<input type="checkbox"/> HB	Hose Bibb**
<input type="checkbox"/> NONE	No Hose Bibb

\*Non-cancelable, not-returnable

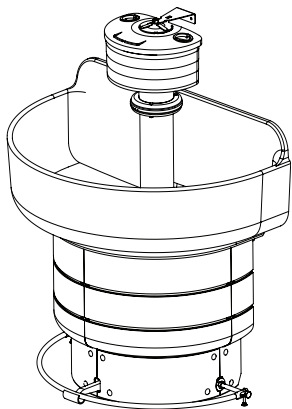
\*\* Available with STD height only. Non-cancelable, non-returnable.

\*\*\* TTPA and TTPB require a low-voltage UL/CSA listed 120VAC/12VDC plug-in adapter.

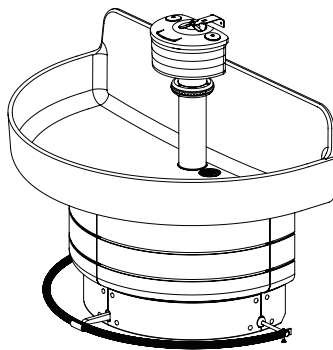
† Towel Dispenser with SA option is non-cancellable and non-returnable.

§ Required with drain A, drain O and towel dispensers.

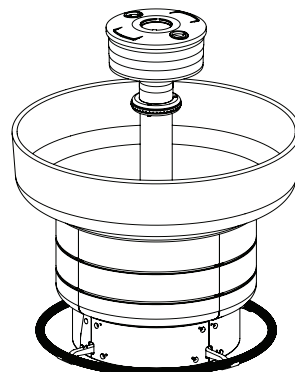
## Semi-Circular Terreon® WF2503 and WF2504, Circular Terreon® WF2505 and WF2508



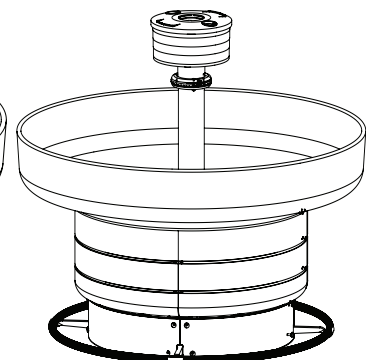
WF2503



WF2504



WF2505



WF2508



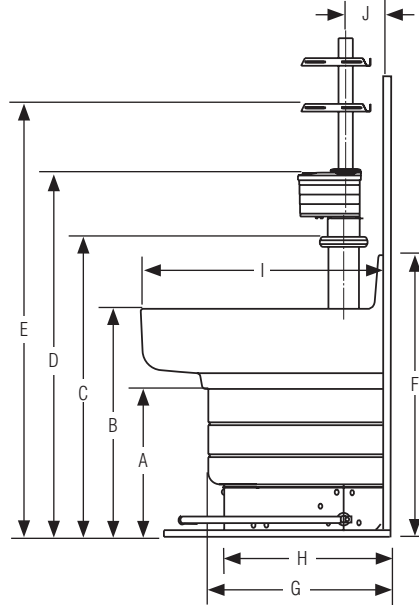
# WF2503, WF2504, WF2505, WF2508 Terreon® Classic Washfountains

## Dimensional Information

(mm)



Add 3-1/2" to Dimensions D & E for Optional TouchTime®, Infrared Sensor or Air Valve



### Semi-Circular

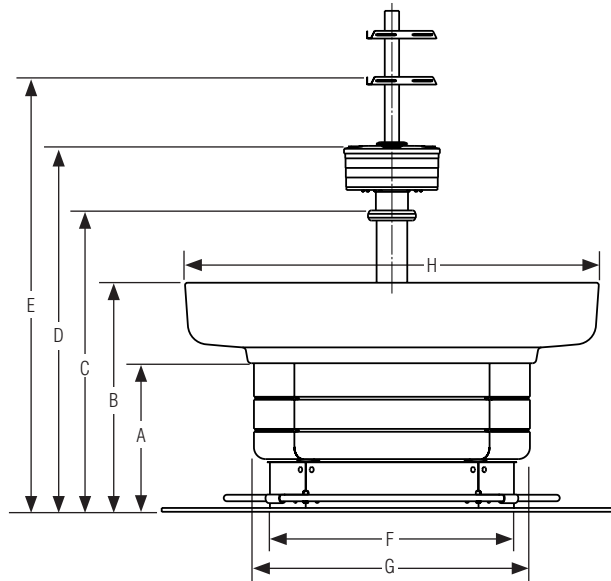
Model	Size	A*	B*	C*	D* **	E* **	F	G	H	I	J
2504	54 (1372)	19 (483)	29-1/2 (749)	38-3/4 (984)	47-1/4 (1200)	55-3/4 (1416)	36-1/2 (927)	23-1/2 (597)	21-1/4 (540)	32-1/4 (819)	5-1/4 (133)
2503	36 (914)	19 (483)	29-1/2 (749)	35-1/4 (895)	43-1/4 (1099)	52-1/4 (1327)	33-3/8 (848)	17-1/4 (438)	15-1/4 (387)	22-3/4 (578)	4-3/4 (121)

\* Juvenile Height: Subtract 4" (102) from dimensions A through E for juvenile height.

\*\* Add 3-1/2" (89) for optional TouchTime®, infrared sensor or air valve.



Add 3-1/2" to Dimensions D & E for Optional TouchTime®, Infrared Sensor or Air Valve



### Circular

Model	Size	A*	B*	C*	D* **	E* **	F*	G	H
2505	54 (1372)	19 (483)	29-1/2 (749)	38-3/4 (984)	47-1/4 (1200)	55-3/4 (1416)	32 (813)	36 (914)	54 (1372)
2508	36 (914)	19 (483)	29-1/2 (749)	35-1/4 (895)	43-1/4 (1099)	52-1/4 (1327)	21 (533)	25 (635)	36 (914)

\* Juvenile Height: Subtract 4" (102) from dimensions A through E for juvenile height.

\*\* Add 3-1/2" (89) for optional TouchTime®, infrared sensor or air valve.



# WF2503, WF2504, WF2505, WF2508 Terreon® Classic Washfountains

(mm)

## Rough-In Notes

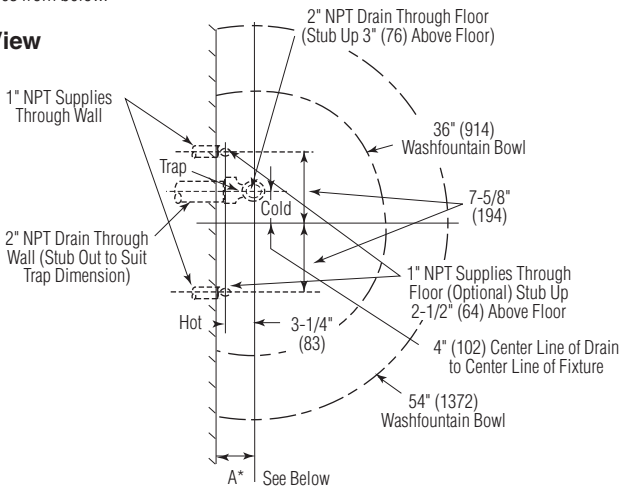
1. All pipes and fittings not furnished by Bradley are shown in broken lines.
2. Supply lines for one to two washfountains should be 1"; for three washfountains 1-1/4"; for more than three washfountains, pipe sizes should be increased proportionately.
3. Overhead supplies must be reduced to 1/2" copper tube to pass through support tube.
4. Check valve inlets are 1/2" NPT.
5. Drain Types B and H: For maximum rigidity of sprayhead/support tube assembly, use 1-1/2" NPT galvanized pipe for vent. Use of plastic or copper for vent is not recommended.

## Rough-Ins – Semi-Circular

### Type A

– Off-line vent with supplies from below.

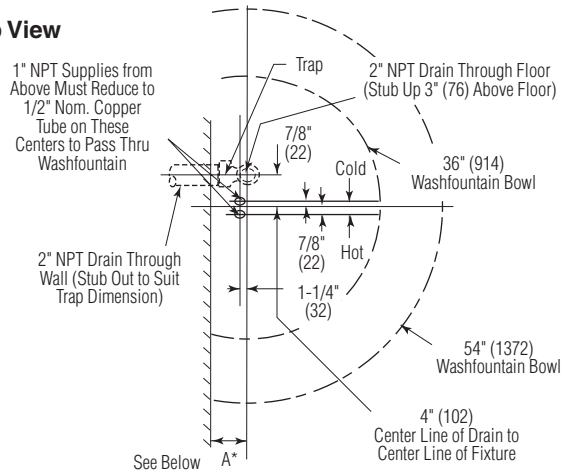
#### Top View



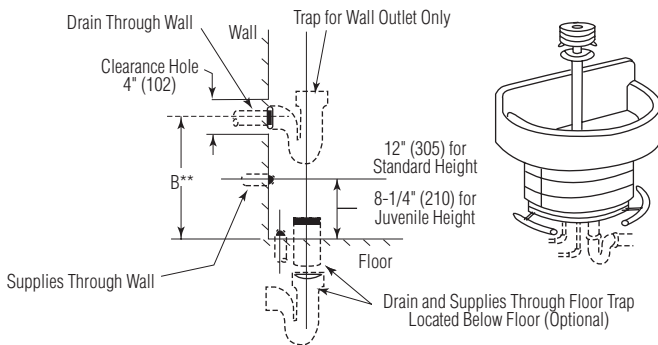
### Type O

– Off-line vent with supplies from above.

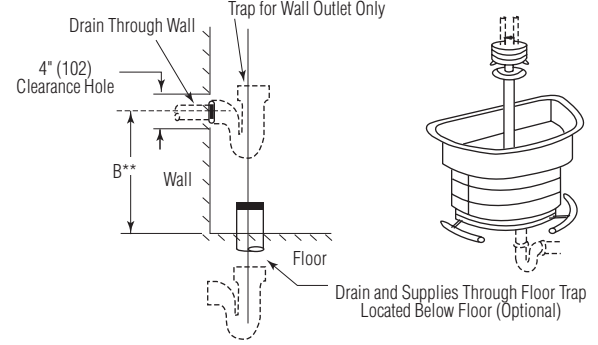
#### Top View



#### Side View



#### Side View



## Installing Traps

When installing trap with a coupling and nipple, see dimension D in the chart below. If trap is installed tight to bottom of bowl, dimension D depends on design of trap.

Model	Bowl Size	A*	B** (Standard Height)	B** (Juvenile Height)
2504	54" (1372)	5-1/4" (133)	6 to 13-1/4" (152 to 337)	6 to 10-1/4" (152 to 260)
2503	36" (914)	4-3/4" (121)	6 to 13-1/4" (152 to 337)	6 to 10-1/4" (152 to 260)

- \* Wall to centerline of trap
- \*\* Centerline of drain to floor



# WF2503, WF2504, WF2505, WF2508 Terreon® Classic Washfountains

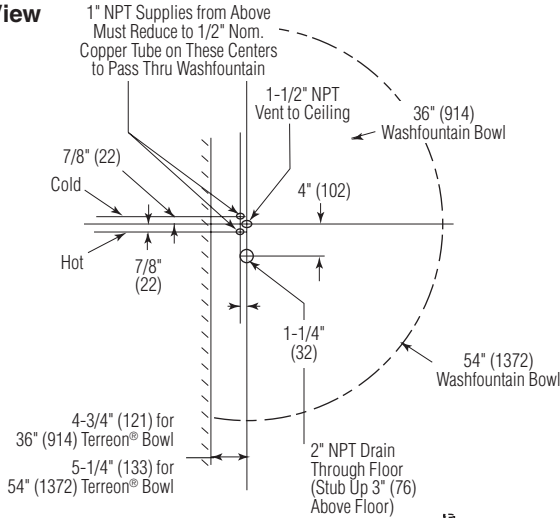
## Rough-Ins – Semi-Circular (continued)

(mm)

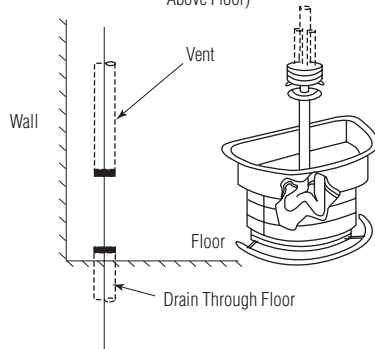
### Type B

– Centrally rising vent with supplies from above.

#### Top View



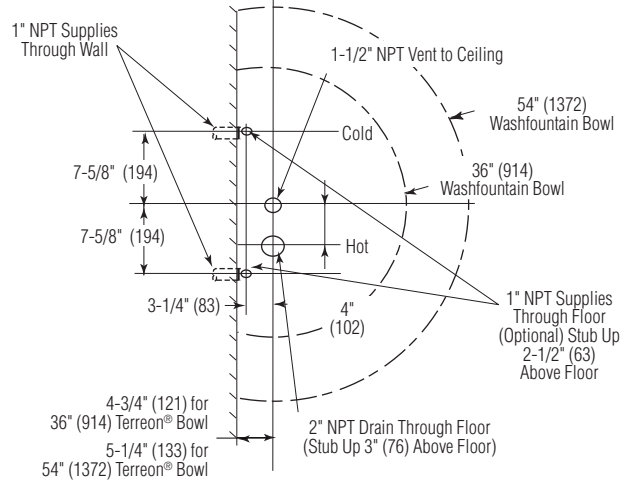
#### Side View



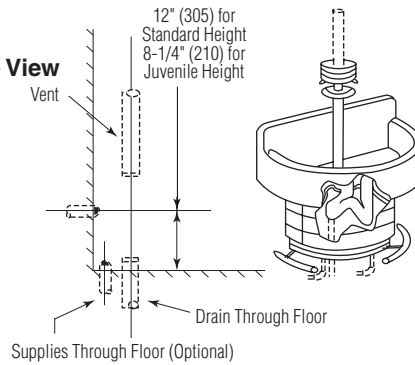
### Type H

– Centrally rising vent with supplies from below.

#### Top View



#### Side View

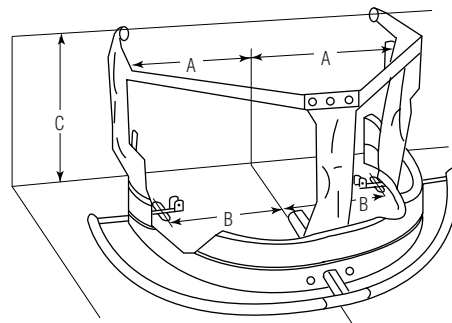


## Dimensions – Pedestal Anchoring

Model	Bowl Size	Standard Height			Juvenile Height		
		A	B	C	A	B	C
2504	54" (1372)	16-1/2" (419)	14" (356)	18-1/4" (464)	16-1/2" (419)	14" (356)	14-1/4" (362)
2503	36" (914)	11" (279)	8-5/8" (219)	18-1/4" (464)	11" (279)	8-5/8" (219)	14-1/4" (362)

### Anchoring Pedestals

1. Place pedestal assembly as shown.
2. Anchor pedestal assembly to floor and wall with suitable wall fasteners. Backing may be required in some types of wall construction.



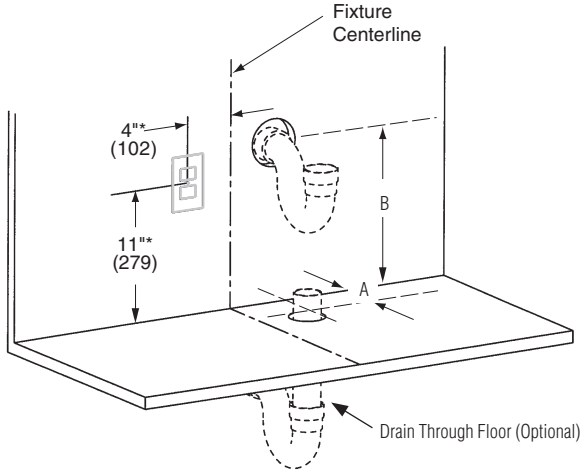


# WF2503, WF2504, WF2505, WF2508 Terreon® Classic Washfountains

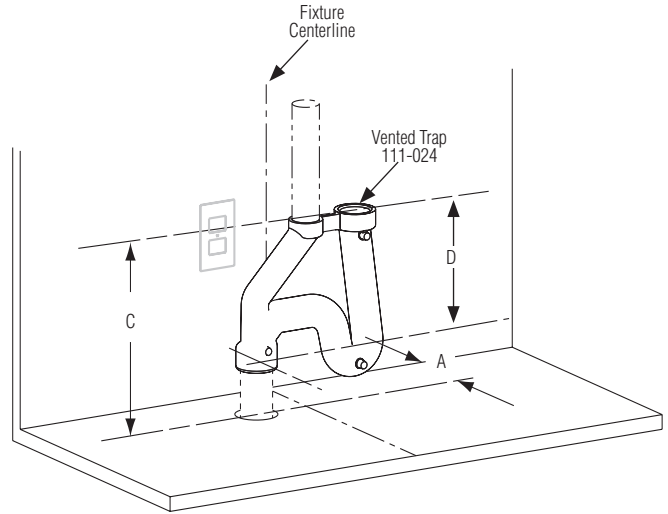
Rough-Ins – Semi-Circular (continued)

(mm)

## Types A and O



## Types B and H



\* Suggested location of 120VAC GFCI electrical outlet. Always check local codes before installing. Outlet may be required to be in a remote location.

A (All Types)	B (Types B & H)	C (Types A & O)		D (Types B & H)	
		Standard Height	Juvenile Height	Standard Height	Juvenile Height
4-3/4" (121)	7" (178)	6 to 13-1/4" (152 to 337)	6 to 10-1/4" (152 to 260)	18-5/8" (473)	14-5/8" (371)



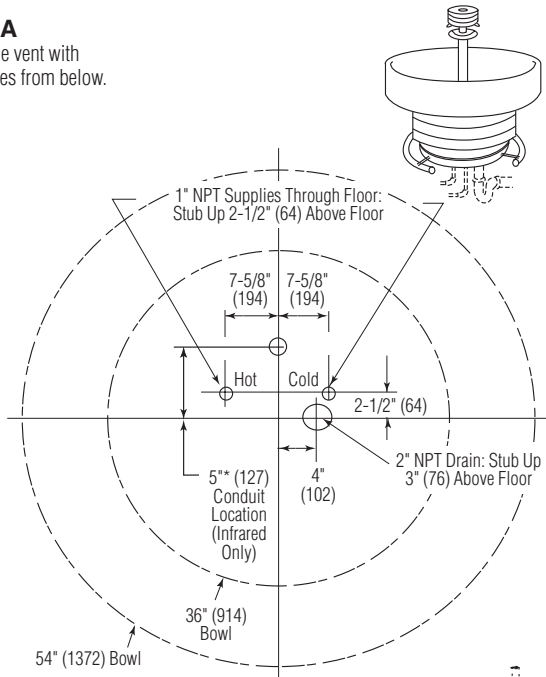
# WF2503, WF2504, WF2505, WF2508 Terreon® Classic Washfountains

## Rough-Ins – Circular

(mm)

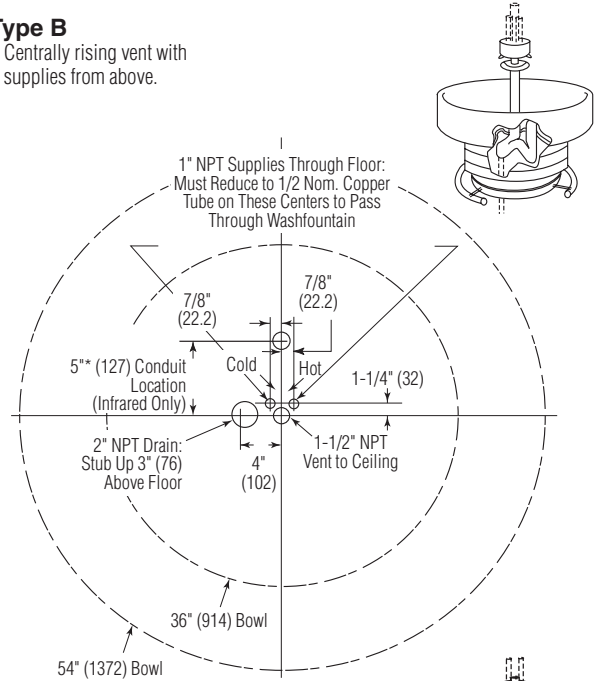
### Type A

– Off-line vent with supplies from below.



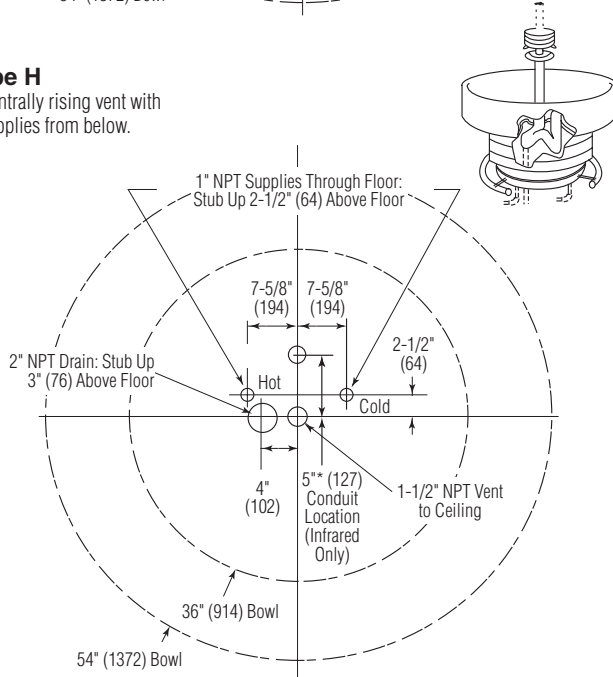
### Type B

– Centrally rising vent with supplies from above.



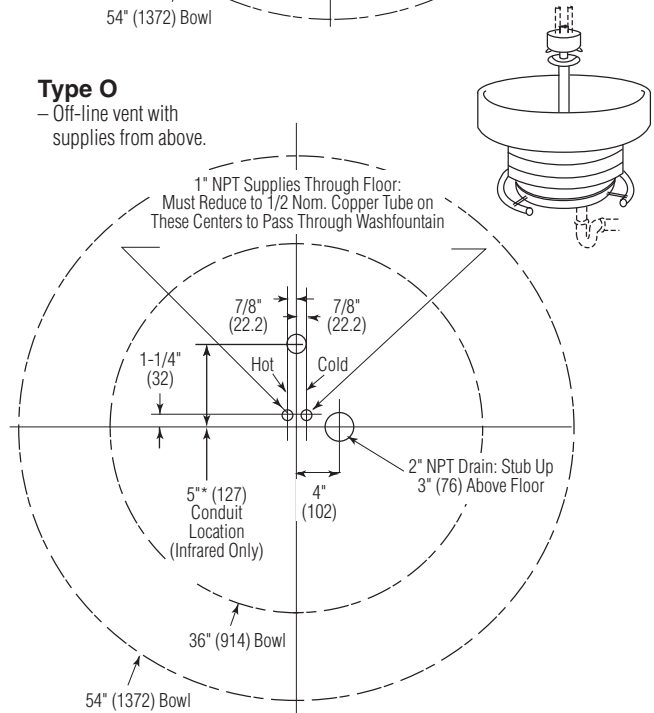
### Type H

– Centrally rising vent with supplies from below.



### Type O

– Off-line vent with supplies from above.



\* Remote mounting of plug-in adapter with 120 VAC electrical supply to washfountain is recommended. See local electrical codes before roughing in. (This conduit location is only a recommendation.)